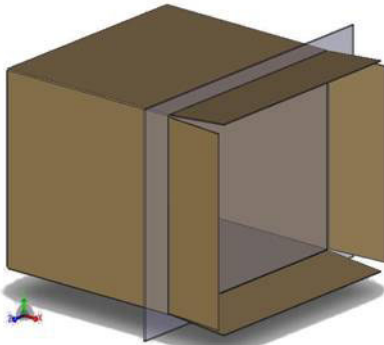


Airmotor Powered Adjustments

Remove operator hand cranks to speed up any change point. Take any existing changeover point and let Edson add quick adjust air motors and manual lever valves to it.

- Faster change-over with easier access for even the heaviest adjustment.
- Improved operator ergonomics
- Can be adjusted "on the fly" while the machine is running to compensate for corrugate or product variances



Scoreline Datum Conversion

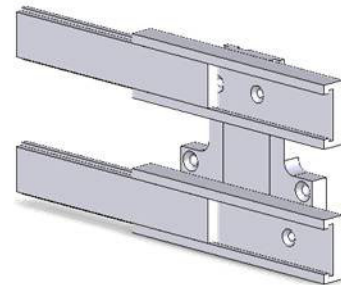
Change the operating datum to a more reliable & intuitive set-up reference point.

- Reduction in change over time and number of changeover points. E.g. no pusher adjustment
- Simpler and intuitive machine set-up
- Easily troubleshoot KDF and case mis-alignments
- Is your machine centre-line datum, edge-datum or already scoreline datum? Call us to find out!

Adjustable Tooling vs. Fixed Change Parts

Never lose your Change Parts again. Save time, money and aggravation by making a simple *adjustment* versus using an entirely new change part.

- No lifting of heavy change-parts
- Improved ergonomics
- Changeover time is reduced
- E.g. Adjustable Chute or Adjustable Dispenser paddles



Servo Motor Powered Adjustments

Edson can easily retrofit most change points to servo motors or even air motors with linear encoders. This allows push button changeover.

- Fastest machine changeover
- Most accurate changeover

	SAFETY
✓	PERFORMANCE
✓	RELIABILITY
	ENERGY EFFICIENCY
✓	OPERATOR CONVENIENCE

Watch machinery video at <http://edson.com/video>